



MODUTECH[®]
Movement Technologies



Modular Belts for Corrugated Industry

www.modutech.com.tr

2019



Movement Technologies



We are rapidly growing. Thanks to the "understanding of excellence" in product and service quality, in the plastic modular belt sector. We export plastic modular belts and accessories (sprockets, flights, sidewalls) produced with high production standards to more than 40 countries, including 5 continents.



We have right partnerships with industrial companies, original equipment manufacturers and distributors in many countries of the world with the strength of our production quality, flexible capability, pre-sales and after-sales service.

We are constantly proving our expertise for food industry. We have FDA and EU approvals that are recognized as quality standards around the world for the safe and hygienic carry of food products.

With our movement technologies, we are carrying your business to the future.

Today and always.

Special Belts For Corrugated Industry



Unique Design and Engineering

Special and unique design meet with engineering for corrugated applications.

Strongly designed belts with extra power, very smooth surface, bi-directional design, extra reinforced bottom surface and stronger hinge design.



Efficient Features and Functions

Industry-specific features and functions offers maximum efficiency.

Chamfered belt edges allow side shift applications, strong lug teeth sprockets, self lock pin design helps easy maintenance, wearing resistant material for pins, very high loading capacity, safety walking surface with XP254 CR type, longer lifetime.



Appropriate Material and Components

Appropriate high-quality materials and components offers advantages for corrugated- specific applications.

Low friction raw material with low coefficient friction feaures for corrugated industry needs.



**Safety
Walking**

**Safety first because
Modutech cares about you!**
Non skid surface offers safety
through walking for corrugated
industry .



MODUTECH

XP254 CR

Corrugated Belt Series

Product Features and Functional Benefits

- Chamfered belt edges.
- Unique sprocket engagement - higher product load and longer conveyors.
- Unique sprocket engagement reduces pulsation and increases load capacity.
- Close transfer applications.
- Extra power, bi-directional belt for long conveyors.
- Safety walking top surface.

Available Moulded Module Sizes

- 152.4 mm module
- 76.2 mm module
- 50 mm module



Bi directional

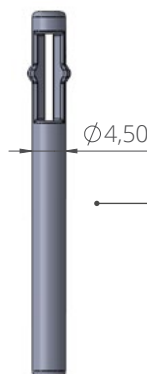
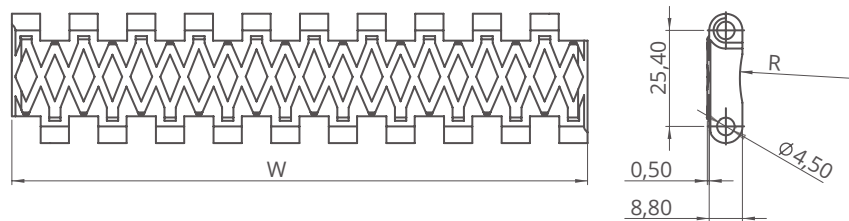
XP254 CR / Technical Information

BELT / PIN MATERIAL	BELT STRENGTH				TEMPERATURE		BELT WEIGHT
	Straight		Curve		C (min.)	C (max.)	Kg/m ²
	Kg/m	N/m	Kg/m	N/m			
Acetal / PA6	4025	40250	-	-	-43	+110	7.90

- Belt strength and temperature values are maximum on the table.

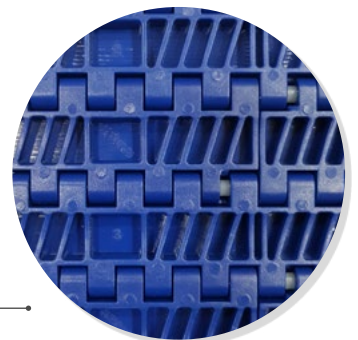
XP254 CR / Standard Belt Widths

BELT SERIES	WIDTH (W)				Belt With Tolerance (max.)
	PP-PE		POM		
	mm	inch	mm	inch	
XP254	50	2"	50	2"	± 0,5 mm
XP254	76,2	3"	76,2	3"	± 0,5 mm
XP254	152,4	6"	152,4	6"	± 0,5 mm
XP254	228,6	9"	228,6	9"	± 2 mm
XP254	304,8	12"	304,8	12"	± 2 mm
XP254	381	15"	381	15"	± 3 mm
XP254	457,2	18"	457,2	18"	± 3 mm
XP254	533,4	21"	533,4	21"	± 3 mm
XP254	609,6	24"	609,6	24"	± 3 mm
XP254	685,8	27"	685,8	27"	± 4 mm
XP254	762	30"	762	30"	± 4 mm
XP254	838,2	33"	838,2	33"	± 4 mm
XP254	914,4	36"	914,4	36"	± 4 mm
XP254	990,6	39"	990,6	39"	± 4 mm
XP254	1066,8	42"	1066,8	42"	± 4 mm
XP254	1143	45"	1143	45"	± 4 mm



Self & Easy Locking Pin

Reinforced Bottom Surface





MODUTECH

XP254 FLT CR

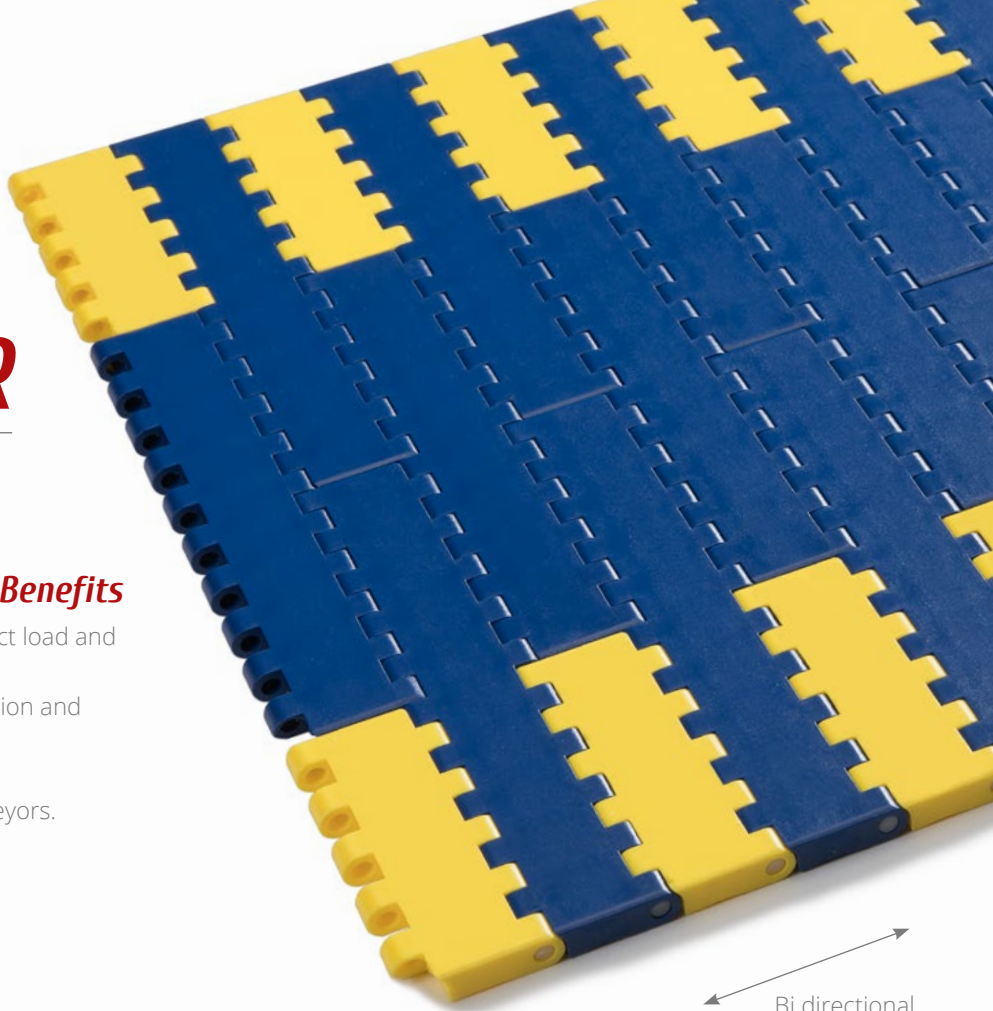
Corrugated Belt Series

Product Features and Functional Benefits

- Unique sprocket engagement - higher product load and longer conveyors.
- Unique sprocket engagement reduces pulsation and increases load capacity.
- Close transfer applications.
- Extra power, bi-directional belt for long conveyors.
- Chamfered belt edges.

Available Moulded Module Sizes

- 152.4 mm module
- 76.2 mm module
- 50 mm module



↔ Bi directional

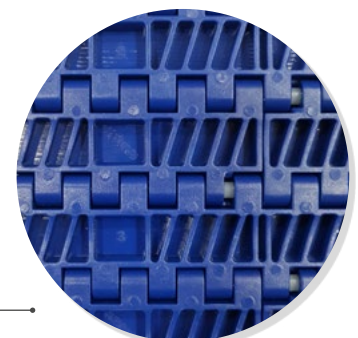
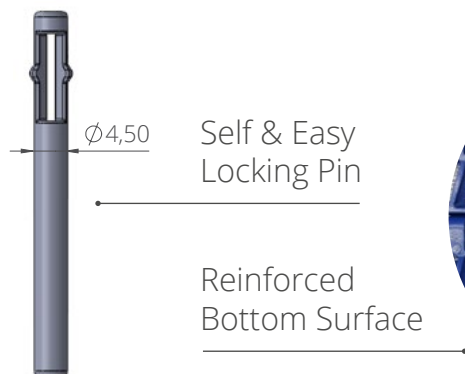
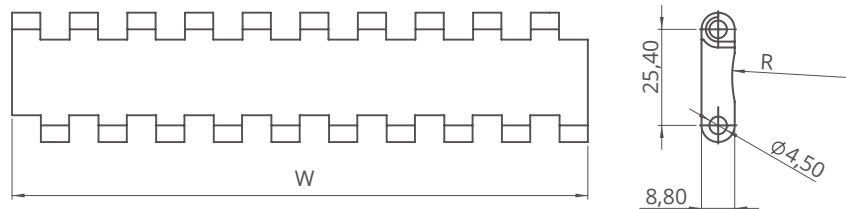
XP254 FLT CR / Technical Information

BELT / PIN MATERIAL	BELT STRENGTH				TEMPERATURE		BELT WEIGHT Kg/m ²
	Straight		Curve		C (min.)	C (max.)	
	Kg/m	N/m	Kg/m	N/m			
Acetal / PA6	4025	40250	-	-	-43	+110	7.90

- Belt strength and temperature values are maximum on the table.

XP254 CR / Standard Belt Widths

BELT SERIES	WIDTH (W)				Belt With Tolerance (max.)
	PP-PE		POM		
	mm	inch	mm	inch	
XP254	50	2"	50	2"	± 0,5 mm
XP254	76,2	3"	76,2	3"	± 0,5 mm
XP254	152,4	6"	152,4	6"	± 0,5 mm
XP254	228,6	9"	228,6	9"	± 2 mm
XP254	304,8	12"	304,8	12"	± 2 mm
XP254	381	15"	381	15"	± 3 mm
XP254	457,2	18"	457,2	18"	± 3 mm
XP254	533,4	21"	533,4	21"	± 3 mm
XP254	609,6	24"	609,6	24"	± 3 mm
XP254	685,8	27"	685,8	27"	± 4 mm
XP254	762	30"	762	30"	± 4 mm
XP254	838,2	33"	838,2	33"	± 4 mm
XP254	914,4	36"	914,4	36"	± 4 mm
XP254	990,6	39"	990,6	39"	± 4 mm
XP254	1066,8	42"	1066,8	42"	± 4 mm
XP254	1143	45"	1143	45"	± 4 mm





MODUTECH

EC127 C

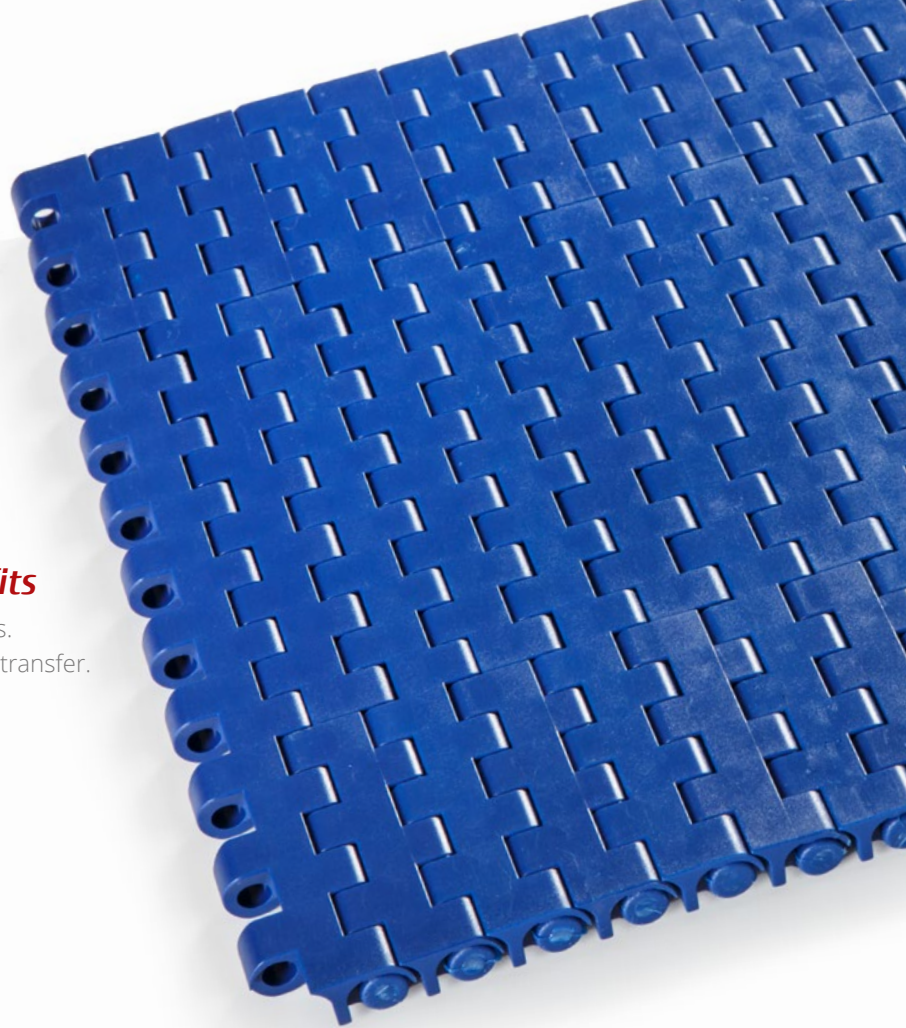
Corrugated Belt Series

Product Features and Functional Benefits

- Less vibration in high speed and nosebar applications.
- Wear resistance in high speed applications with tight transfer.
- Unique sprocket engagement reduces pulsation.
- Close transfer applications.
- Tight transfer and high speed conveyors.

Available Moulded Module Sizes

- 150 mm module
- 100 mm module
- 50 mm module



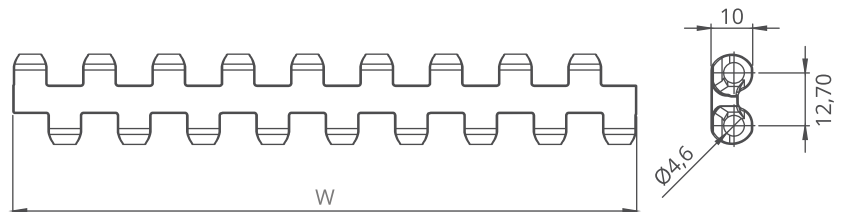
EC127 C / Technical Information

BELT / PIN MATERIAL	BELT STRENGTH				TEMPERATURE		BELT WEIGHT
	Straight		Curve		C (min.)	C (max.)	Kg/m ²
	Kg/m	N/m	Kg/m	N/m			
Acetal / PA6	1926	19260	-	-	-43	+110	7.00

- Belt strength and temperature values are maximum on the table.

EC127 C / Standard Belt Widths

BELT SERIES	WIDTH (W)				Belt With Tolerance (max.)
	PP-PE		POM		
	mm	inch	mm	inch	
EC127 C	150	5,9	150	5,9	± 1 mm
EC127 C	200	7,87	200	7,87	± 1 mm
EC127 C	250	9,84	250	9,84	± 2 mm
EC127 C	300	11,81	300	11,81	± 2 mm
EC127 C	350	13,77	350	13,77	± 2 mm
EC127 C	400	15,75	400	15,75	± 2 mm
EC127 C	450	17,71	450	17,71	± 2 mm
EC127 C	500	19,69	500	19,69	± 2 mm
EC127 C	550	21,65	550	21,65	± 2 mm
EC127 C	600	23,62	600	23,62	± 3 mm
EC127 C	650	25,60	650	25,60	± 3 mm
EC127 C	700	27,56	700	27,56	± 3 mm
EC127 C	750	29,50	750	29,50	± 3 mm
EC127 C	800	31,50	800	31,50	± 3 mm
EC127 C	850	33,46	850	33,46	± 4 mm
EC127 C	900	35,43	900	35,43	± 4 mm



- Standard belt increments 50 mm.
- Non standard belt increments 16,6 mm.
- Please contact with customer service for precise belt measurements.

XP254 Series

Sprockets and Technical Specifications



Z18



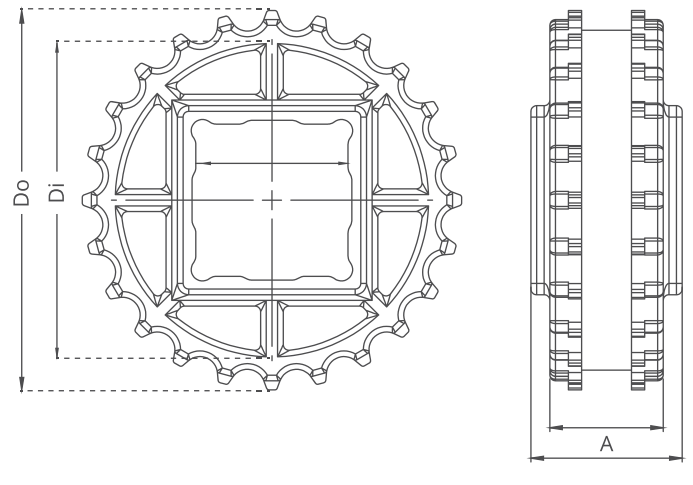
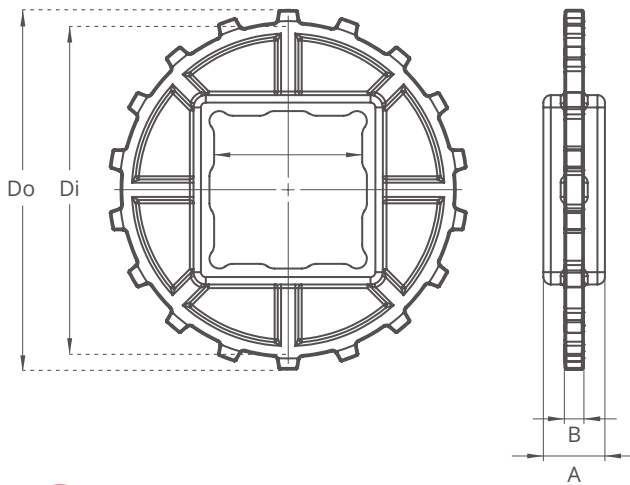
Z18



Z24



Z24



Split moulded sprockets are available for XP254 Z15 & Z18!

XP254 Series / Standard Sprockets Dimensions

NO. TEETH	Di	Do	B	A	Square Bore (Q)	Round Bore (R)	PRODUCT CODE	
							Square Type (Q)	Round Type (R)
Z8	53.2 mm	64 mm	8.0 mm	25.0 mm	25.0 mm	25.0 / 30.0	XP254SQZ8*PA	XP254SRZ8*PA
Z10	71.6 mm	82.5 mm	8.0 mm	25.0 mm	40.0 mm	25.0 / 30.0	XP254SQZ10*PA	XP254SRZ10*PA
Z12	89.0 mm	99.5 mm	8.0 mm	25.0 mm	40.0 mm	25.0 / 30.0	XP254SQZ12*PA	XP254SRZ12*PA
Z15	114.0 mm	124.0 mm	8.0 mm	25.0 mm	40.0 / 60.0 mm	25.0 / 30.0	XP254SQZ15*PA	XP254SRZ15*PA
Z18	136.4 mm	146.4 mm	8.0 mm	25.0 mm	40.0 / 60.0 mm	25.0 / 30.0	XP254SQZ18*PA	XP254SRZ18*PA

*Other sprockets and hub sizes are manufactured up to request. *POM (Acetal) and PP (Polypropylene) sprockets raw material is available on request.

***Split sprockets are available for each size.**

EC127 Series / Standard Sprockets Dimensions

NO. TEETH	Di	Do	B	A	Square Bore (Q)	Round Bore (R)	PRODUCT CODE	
							Square Type (Q)	Round Type (R)
Z19	68.5 mm	78 mm	3.5 mm	40.0 mm	40.0 mm	25.0 / 30.0	EC127SQZ19*PA	EC127SRZ19*PA
Z24	88.7 mm	98.8 mm	3.5 mm	40.0 mm	40.0 mm	25.0 / 30.0	EC127SQZ24*PA	EC127SRZ24*PA
Z28	105.0 mm	115.2 mm	3.5 mm	40.0 mm	40.0 mm	25.0 / 30.0	EC127SQZ28*PA	EC127SRZ28*PA
Z30	113.0 mm	123.3 mm	3.5 mm	40.0 mm	40.0 mm	25.0 / 30.0	EC127SQZ30*PA	EC127SRZ30*PA
Z36	137.5 mm	148.0 mm	3.5 mm	40.0 mm	40.0 mm	25.0 / 30.0	EC127SQZ36*PA	EC127SRZ36*PA

*Other sprockets and hub sizes are manufactured up to request.

*POM (Acetal) and PP (Polypropylene) sprockets raw material is available on request.

EC127 Series

Sprockets and Technical Specifications

Movement Technologies



İZMİR Head Office

Ankara Asfaltı 25.km Kızılıçıklar Mevkii
Kuyucak Kemalpaşa / İZMİR - TURKEY
Phone: +90 232 877 00 22 (pbx)
Fax: +90 232 877 01 11

e-mail: info@modutech.com.tr
www.modutech.com.tr

GERMANY Office

Modutech Belting GmbH
Konsul-Smidt-Straße 8b
28217 Bremen - GERMANY
Phone: +49 421 98699961
Fax: +49 174 1775388

e-mail: info@modutech-belting.de
www.modutech-belting.de